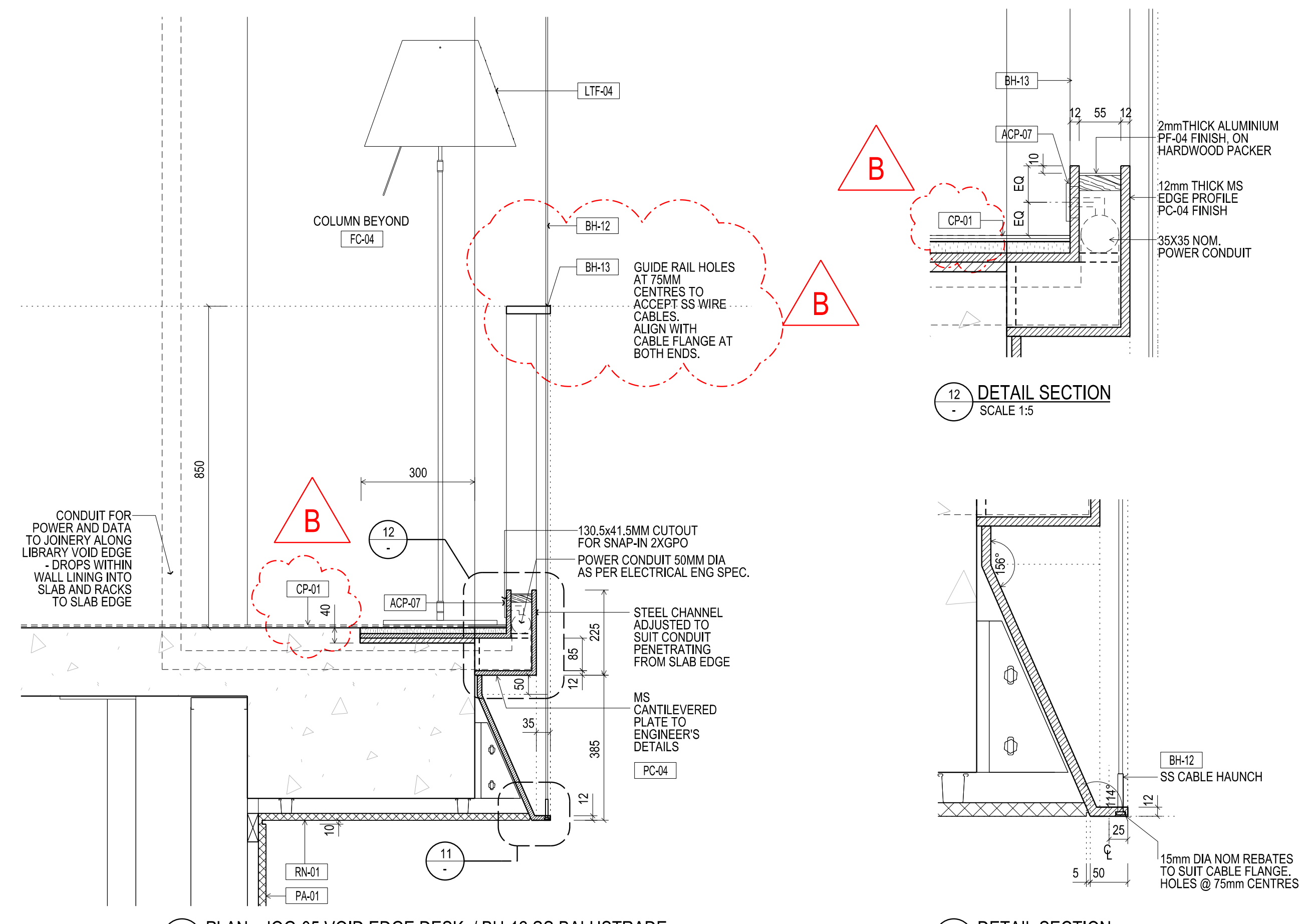
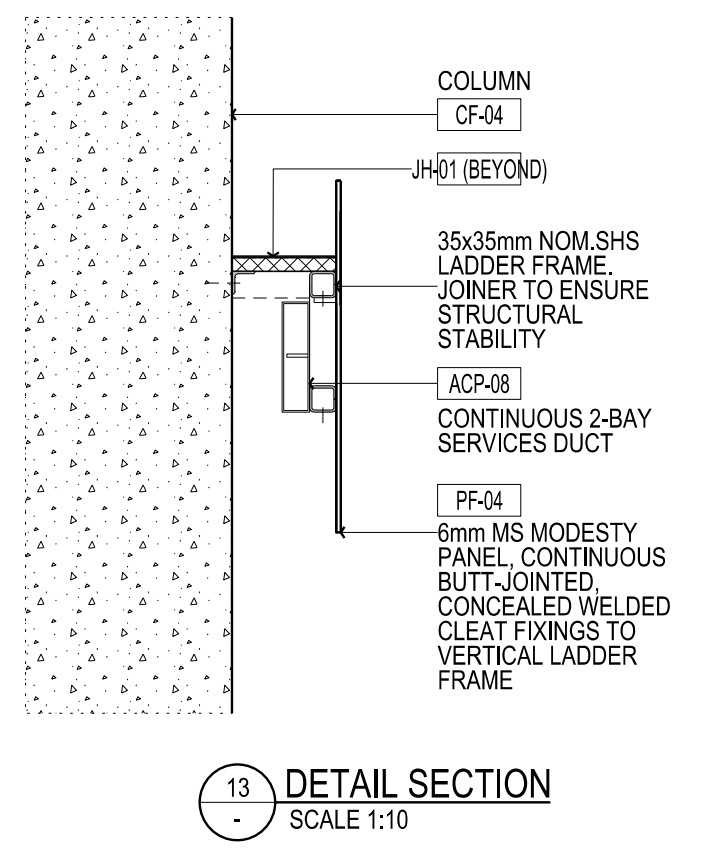


CONTRACTORS SHALL VERIFY JOB DIMENSIONS BEFORE ANY JOB COMMENCES. ALL SHOP DRAWINGS SHALL BE SUBMITTED TO THE SUPERINTENDENT AND MANUFACTURERS SHALL NOT COMMENCE FROM THE RETURN OF DRAWINGS SHOWN. BY THE CONTRACTOR. DIMENSIONS SHALL TAKE PRECEDENCE OVER SCALES. THIS DRAWING SHALL BE READ IN CONJUNCTION WITH ALL RELEVANT CONTRACT SPECIFICATIONS AND DRAWINGS COPYRIGHT OF THIS DRAWING IS VESTED IN NADAAA.

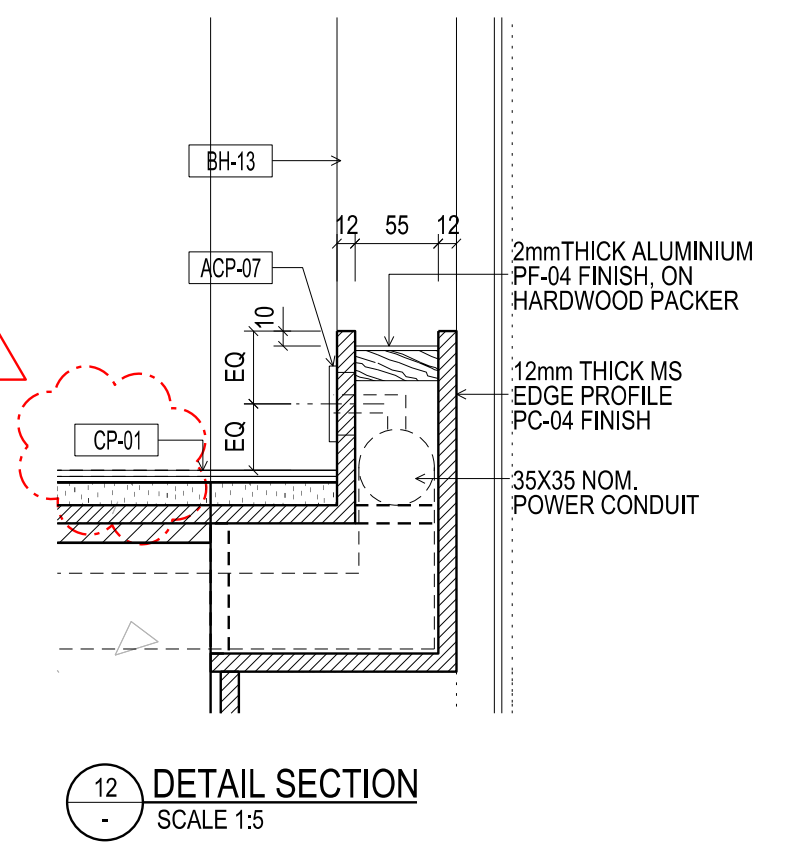
General Notes



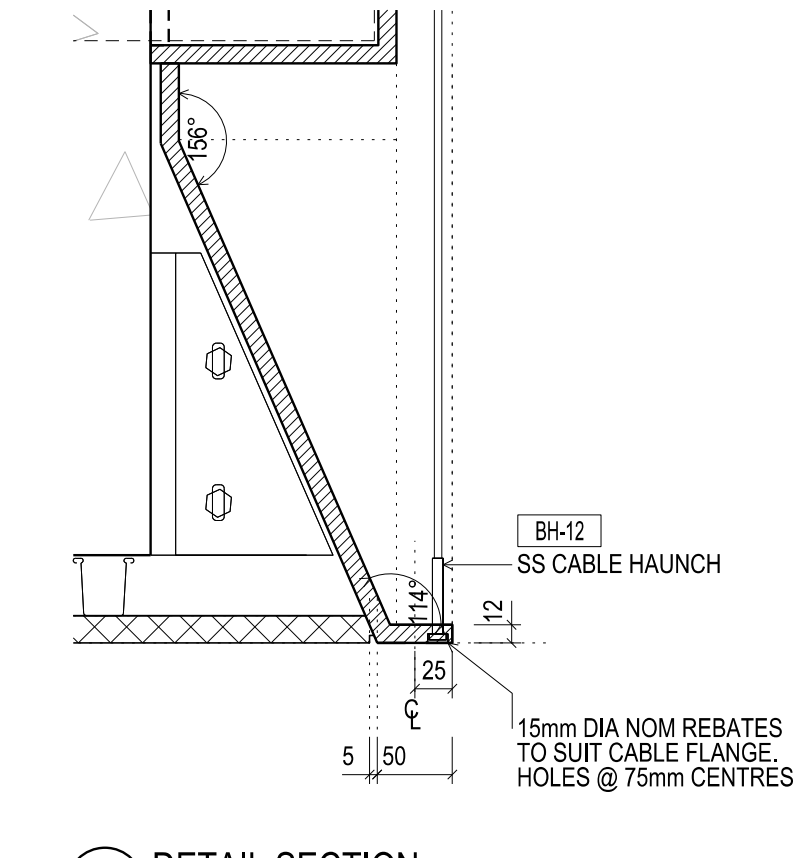
10 PLAN - JOG-05 VOID EDGE DESK / BH-12 SS BALUSTRADE
SCALE 1:20



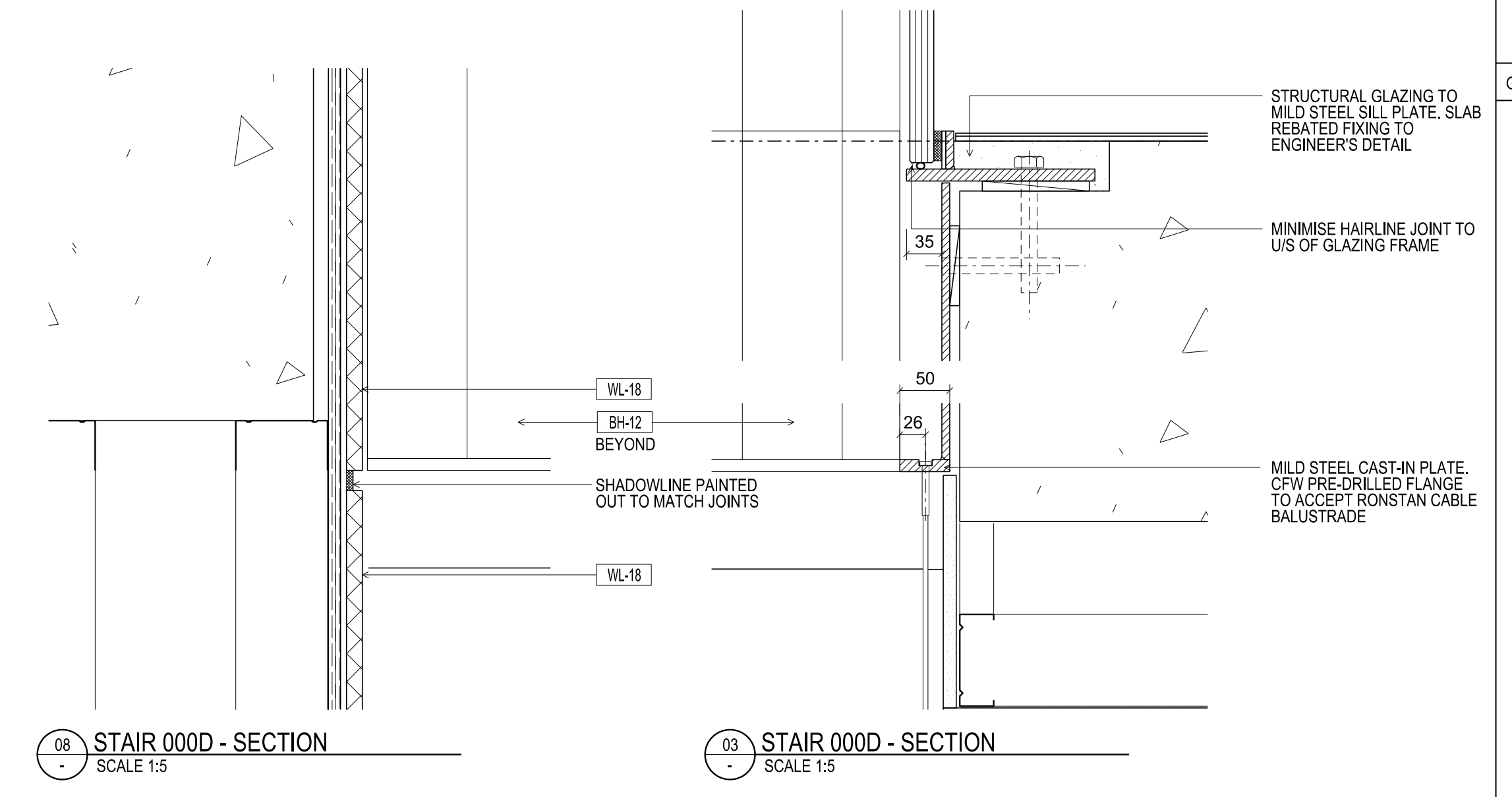
13 DETAIL SECTION
SCALE 1:10



12 DETAIL SECTION
SCALE 1:5

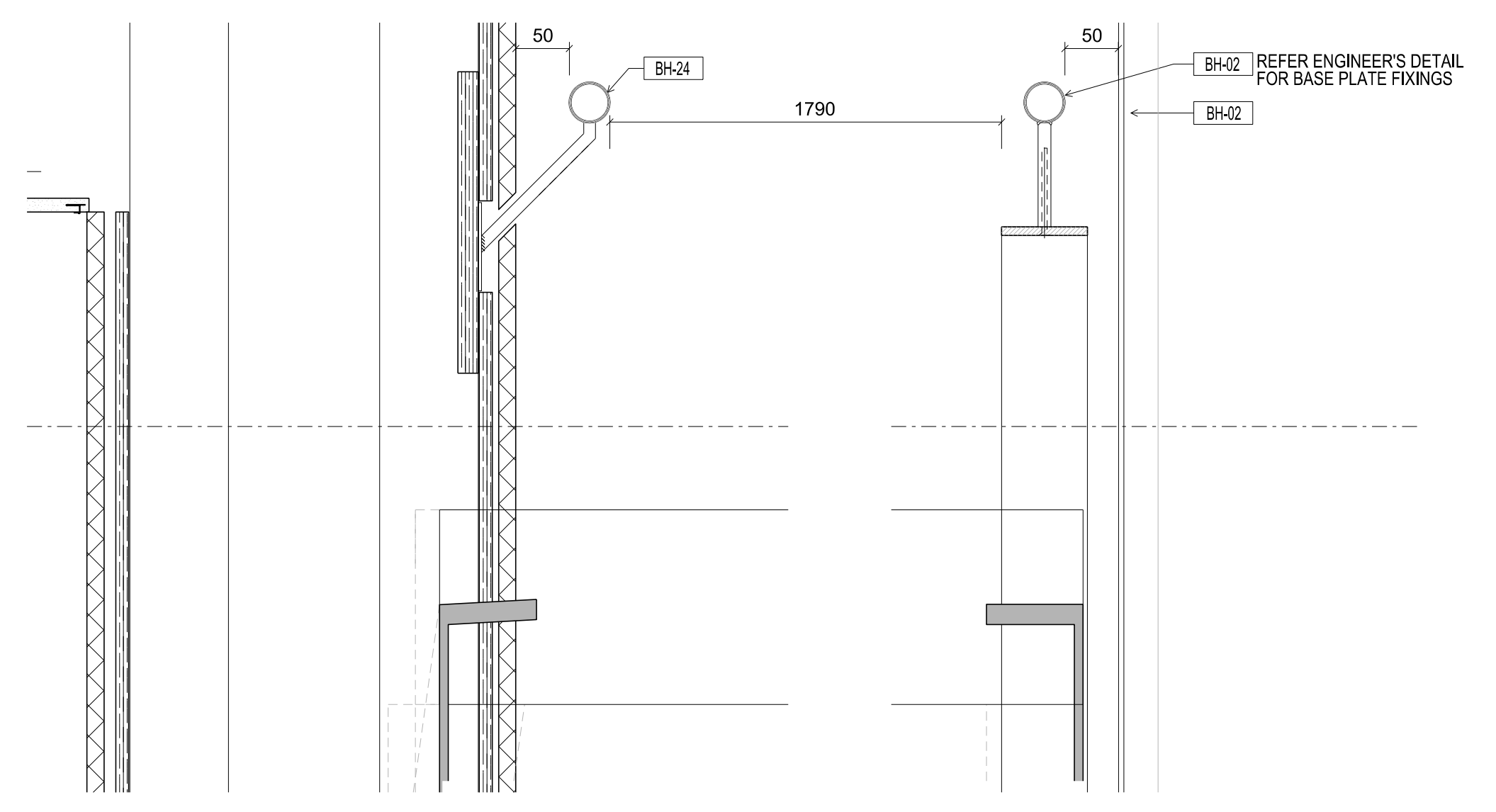


11 DETAIL SECTION
SCALE 1:5

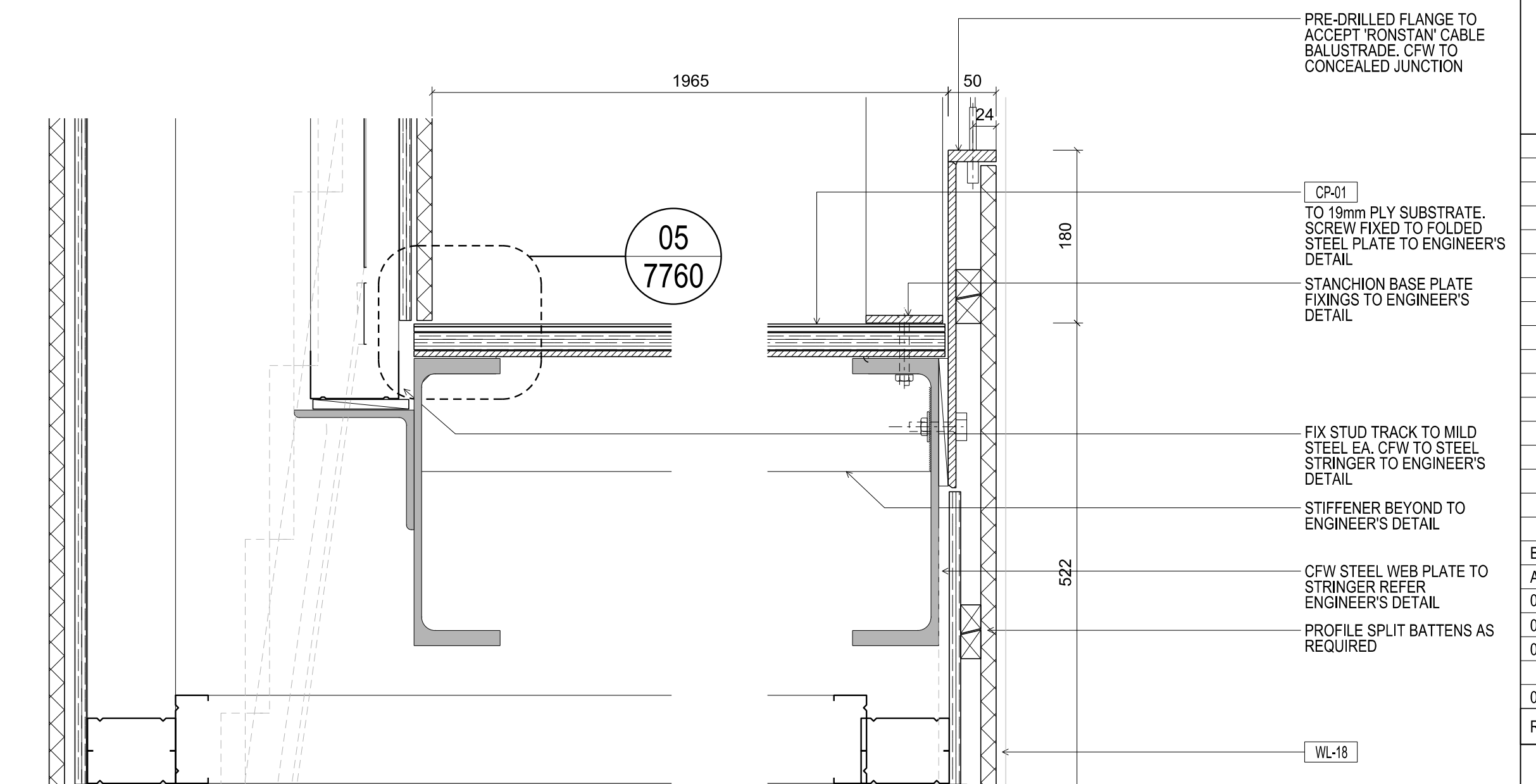


08 STAIR 000D - SECTION
SCALE 1:5

09 STAIR 000D - SECTION
SCALE 1:5

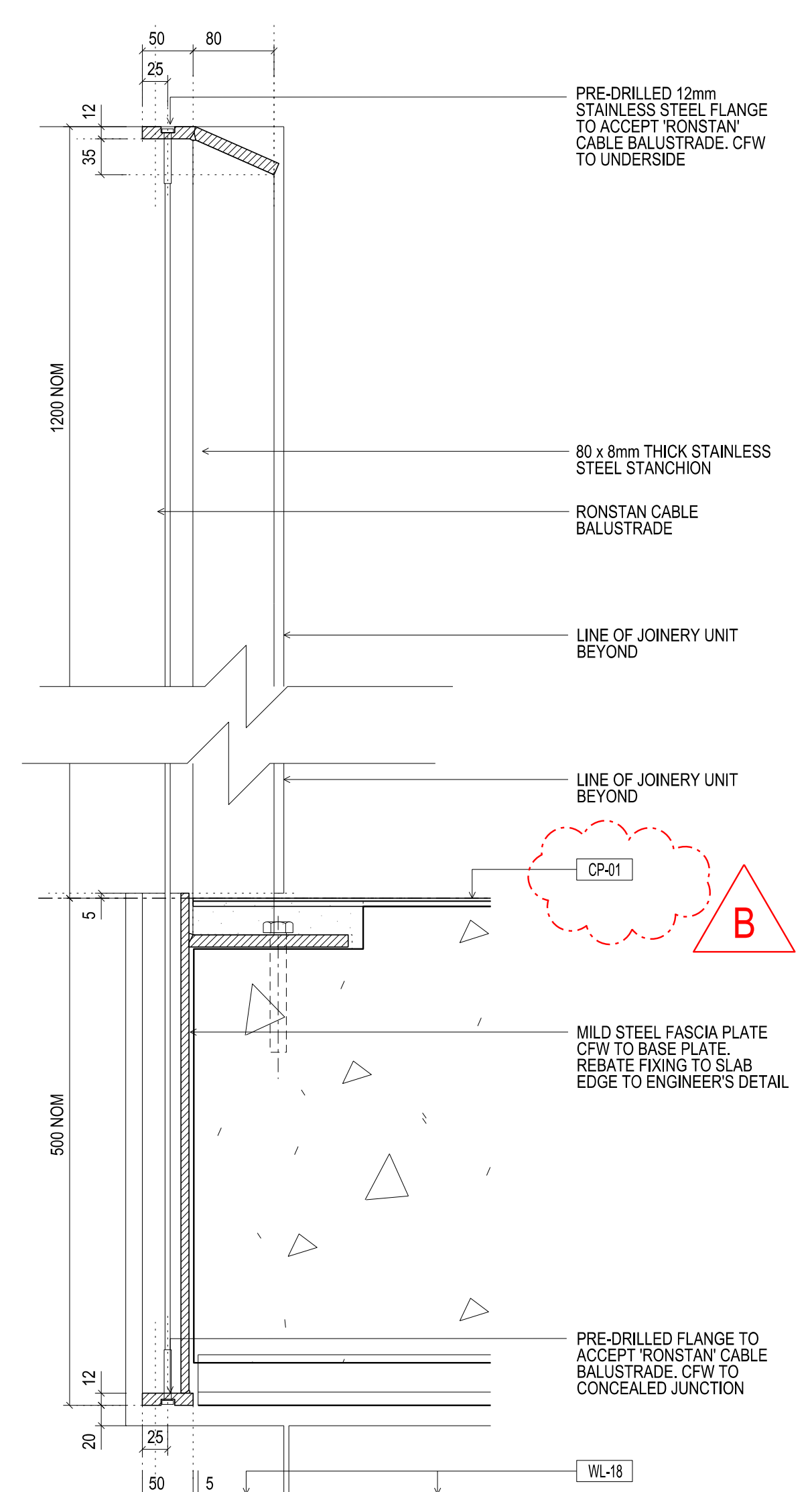


06 STAIR 000D - SECTION
SCALE 1:5

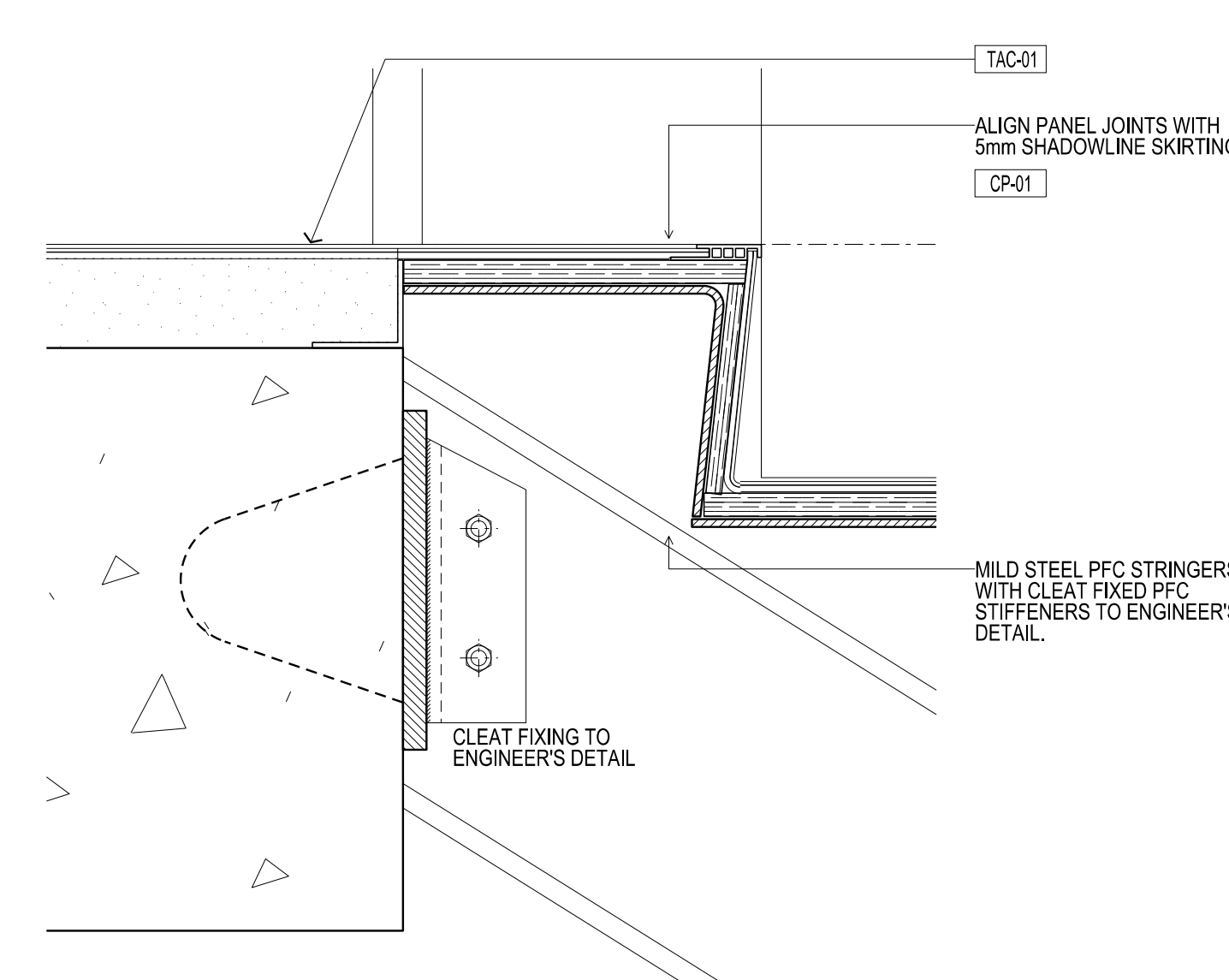


05 STAIR 000D - SECTION
SCALE 1:5

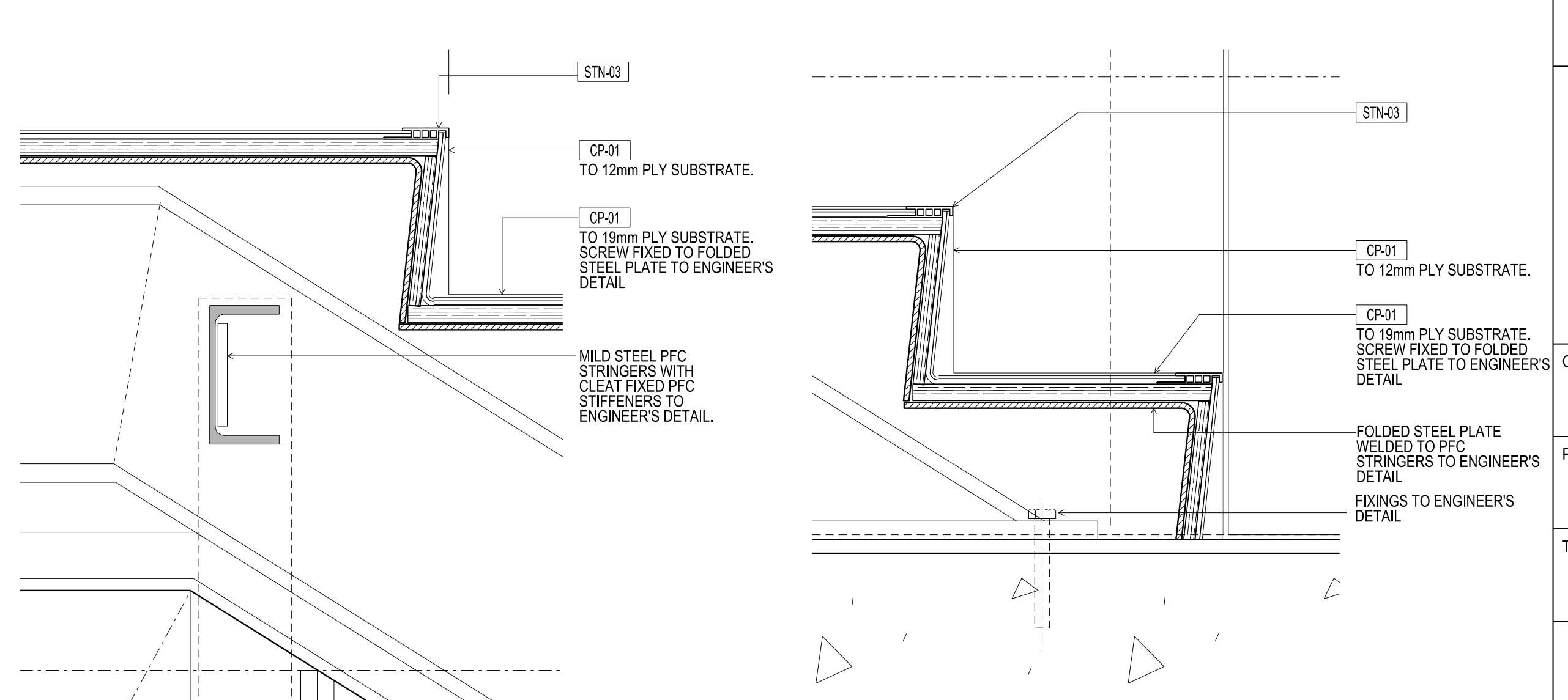
07 STAIR 000D - SECTION
SCALE 1:5



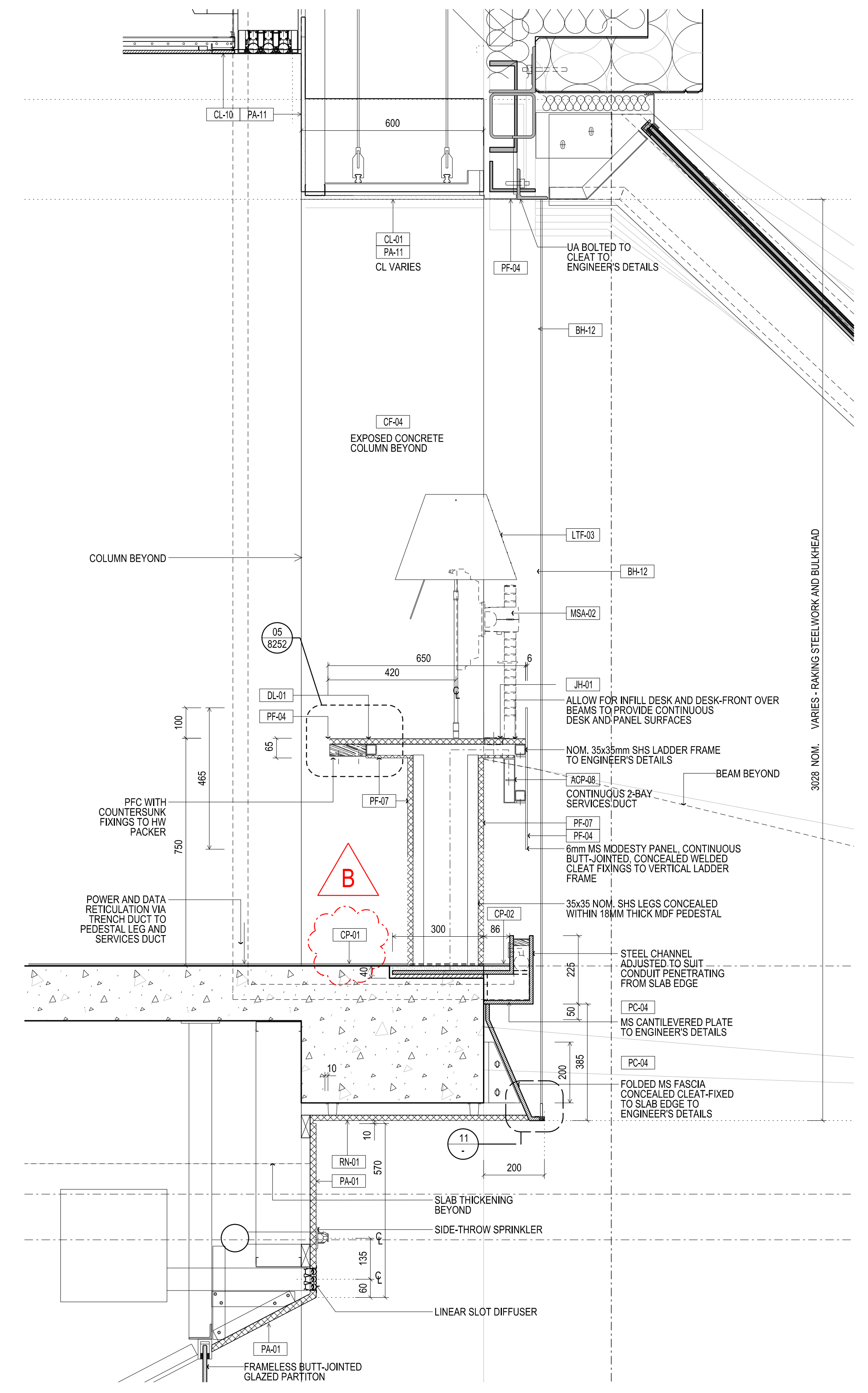
04 BH-12 SECTION DETAIL
SCALE 1:5



06 STAIR 000D - SECTION
SCALE 1:5



07 STAIR 000D - NOSING DETAIL
SCALE 1:5



09 SECTION - JOG-05 VOID EDGE DESK / BH-12 SS BALUSTRADE
SCALE 1:10

Rev	Issue	Revision Description	And	Date
B	SG	UPDATES AS CLOUDED	KW	29.01.14
A	SG	BALUSTRADE UPDATES AS CLOUDED		27.08.13
04	SG	BH CLARIFICATIONS		11.08.13
03	SG	UPDATES TO MS PROFILE TO LIBRARY EDGE		30.08.13
02	SG	BUILDING PERMIT ISSUE		24.05.13
01	SG	PREVIOUSLY ISSUED ON OTHER DWG. SHEETS		28.03.13
01	SG	VALUE MANAGEMENT ISSUE		28.03.13



NADAAA

NADAAA
1920 Washington Street No.2 Boston Massachusetts 02118 USA
Telephone +1 817 442 8232 Facsimile +1 888 442 1417 Email nadaaa@nadaaa.com

John Wardle Architects

25 Rokeby Street, Collingwood, Victoria 3066 Australia
Tel: +61 3 8662 0400 www.johnwardlearchitects.com
© 2014 John Wardle Architects ABN 83 006 814 268

Client University of Melbourne Parkville Campus

Project Faculty of Architecture Building and Planning

Title STAIR DETAILS STAIR 000D

Project No.	0913	Scale	1:5 @ A0 1:10 @ A2
Drawing No.	AR5038	Revision	B

Date: July 2012 Drawn: Co-Ord: Check:

FILENAME - \$FILES FOR CONSTRUCTION